

# marvel<sup>®</sup>

MANUFACTURING COMPANY, INC.

## SERIES 8 MARK III<sup>™</sup>

*"The Latest Version  
of the World's Most  
Popular Band Saw"*



*18" X 22" Capacity  
60<sup>°</sup> Tilt Left and Right  
1.25" Blade  
5 H.P. Drive Motor  
Vector Control Electric Blade Drive*

**WWW.SAWING.COM**



Patent Pending "Easy Load"  
Blade Guide Design makes blade  
changes easier than ever before.

1.25 inch Blade  
with  
5 H.P. Drive Motor



Spacious Work Table  
with Four T-Slots

State-of-the-art Electrical Controls  
Control Panel is  Listed

Standard PLC  
Control



Miter Cutting up to 60 degrees  
Left and Right  
w/power tilt available



User Friendly Control  
24 Volt Control



Automatic Column Return

Proven power feed design automatically controls feed pressure during the cut.

Column travels on Linear Ball Bearing Ways.

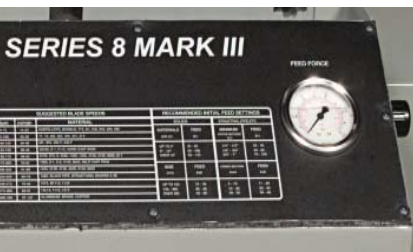
Vector Control Blade Drive with 50-450 fpm Blade Speed

Designs are continually improved. Production Model may not match photos.



Patent Pending Quick Change Column Adjusts from 90° to 3° Forward Cant in only minutes

Some safety equipment may have been removed or opened to illustrate products clearly and must be in place, and functioning, prior to operation.



Control Panel  
Controls

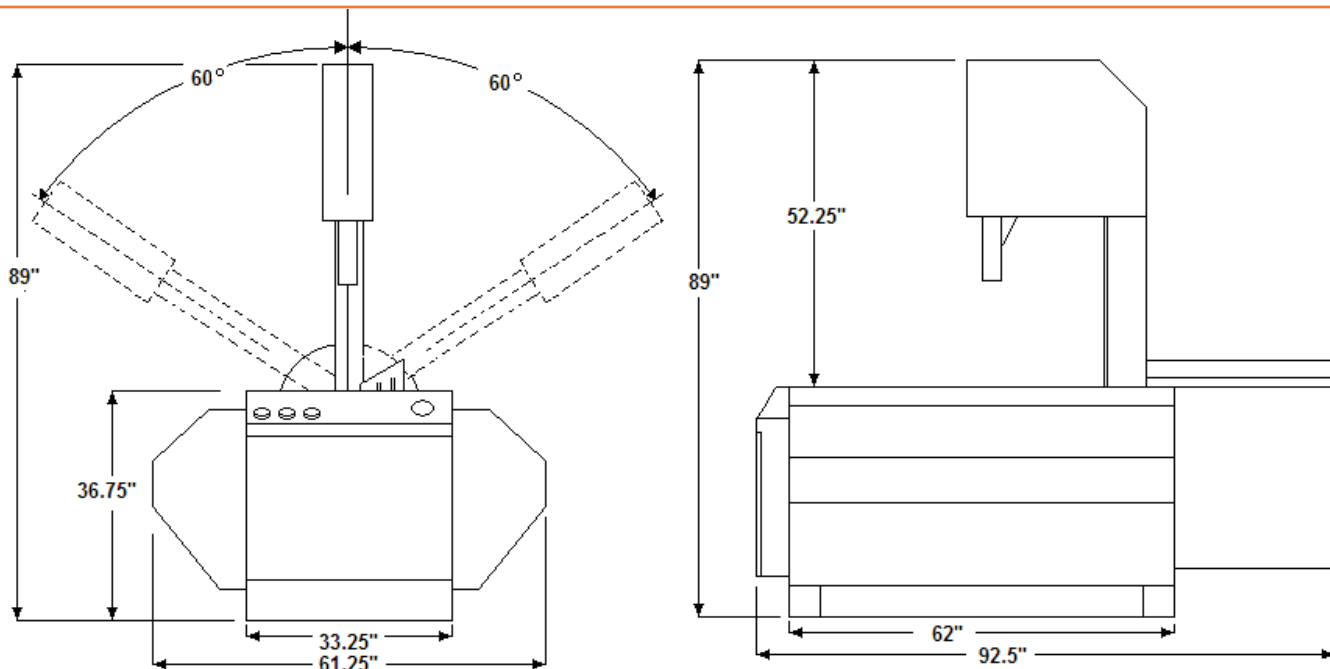


MANUFACTURING COMPANY, INC.

# **SERIES 8 MARK III**

## SPECIFICATIONS AND DIMENSIONS

Capacity	18" x 22"	457mm x 558mm
Capacity at 45 ° Right	18" x 14.5"	457mm x 368mm
Capacity at 45 ° Left	18" x 13"	457mm x 330mm
Capacity at 60 ° Right	18" x 9.7"	457mm x 246mm
Capacity at 60 ° Left	18" x 7.3"	457mm x 185mm
Capacity at 3 ° Foward Cant	17.5" x 22"	445mm x 558mm
Tilt (Power Tilt Option Available)	0 to 60 ° Left and Right	
Drive Motor	5 H.P	3.75kw
Blade Size	15"4" x 1.25" x .042"	4674mm x 32mm x 1.07mm
Blade Speed Range	50-450fpm	15-137m/min
Feed Pressure	0-250lbs.	0-1114N



Marvel Mfg. Co. Inc.

3501 Marvel Dr.

Oshkosh, WI 54902

Phone: 920-236-7200 Fax:920-236-4156

WWW.SAWING.COM